

Single-Display Visitor Authentication Equipment

Model:F1852
Specification Sheet



Bozztek Technology (Shenzhen) Co., Ltd.

Model:F1852 Description



1. application scenarios

The equipment is suitable for office areas, hotels, administration, office buildings, schools, shopping malls, stores, communities, transportation, logistics, public services and management projects, and other places that need to be used to verify the identity card.

2. product characteristics

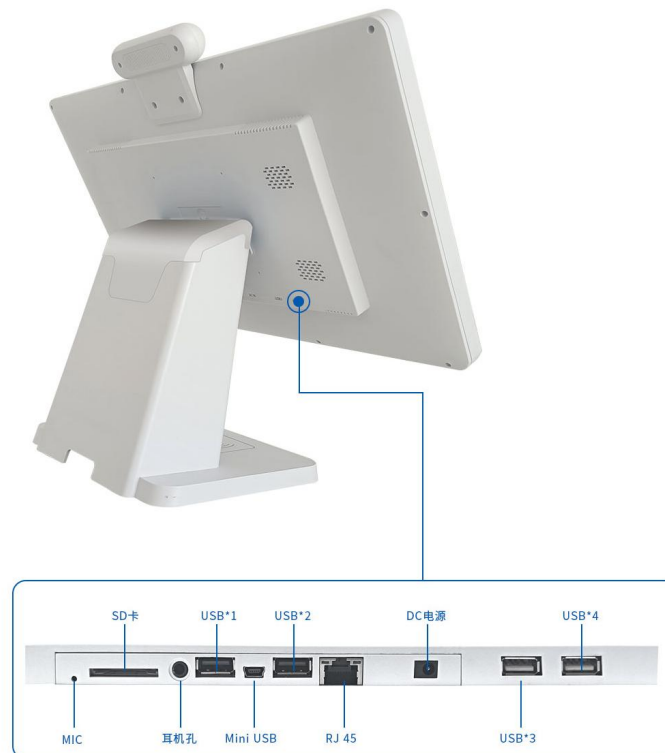
- Wide dynamic binocular camera, supports live monitoring.
- Efficient infrared fill light.
- Optional NFC card reader, ID card reader, social security card reader.
- Support the use of public network, LAN deployment mode, optional 4G communication module.
- Optional multi-sized screens are available

3. Product specification sheets

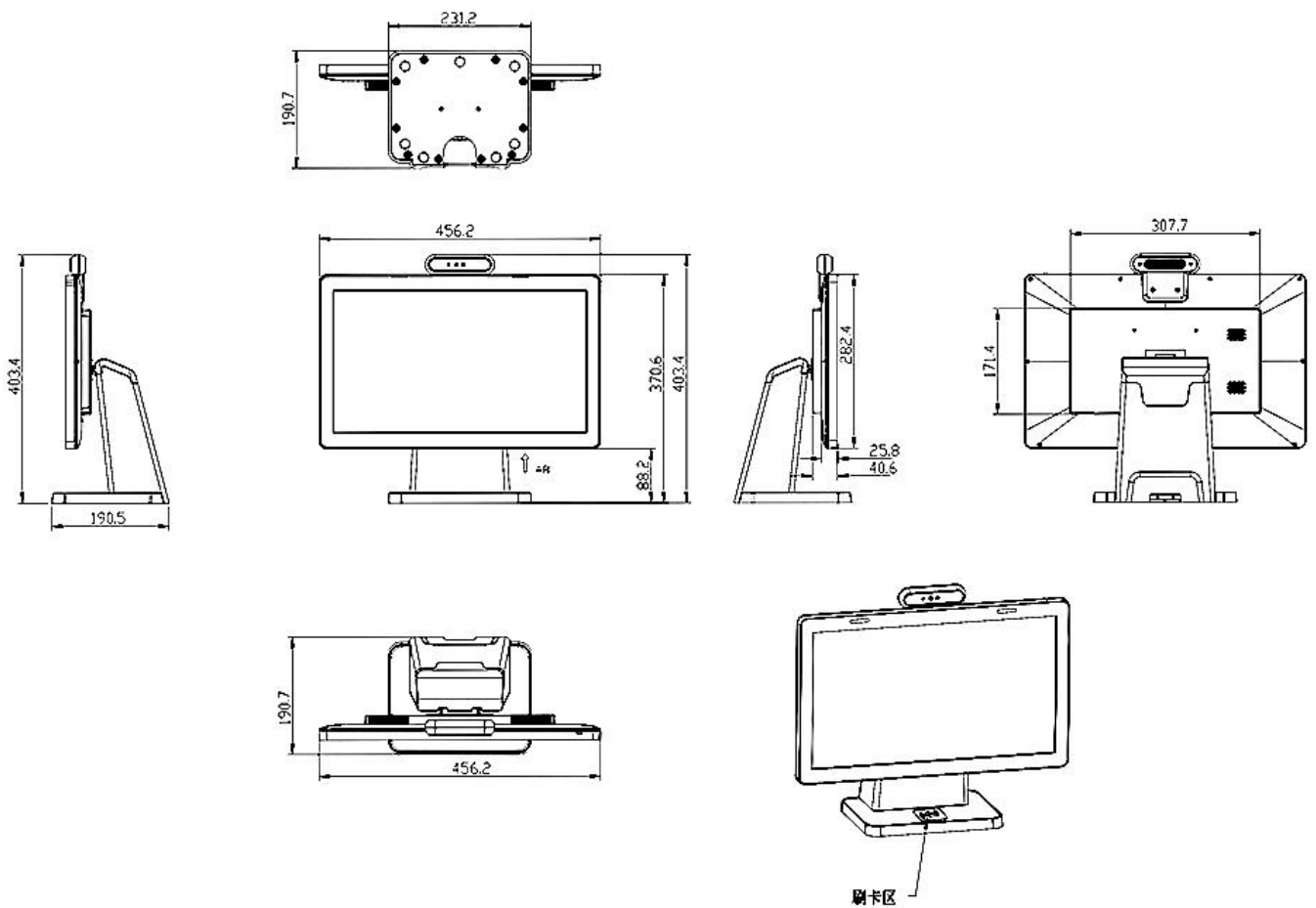
| Single-display ID verification visitor terminals | | | |
|--|-------------------------------------|--|----------------|
| Product Model Number | | Model:F1852 | |
| Screen | Size | 18.5-inch NT wide viewing angle | |
| | Resolution | 1366*768 | |
| Camera | Type | RGB | Infrared |
| | Resolution | 2 megapixels | 1.3 megapixels |
| | Aperture | F2.4 | F2.4 |
| | Focal length | 3.0MM | 3.0MM |
| | White balance | Automatically | Automatically |
| | Wide Dynamic | Support | Support |
| | Vertical wide angle | 88 degrees | 88 degrees |
| | Horizontal wide angle | 57 degrees | 57 degrees |
| Basic specifications | operating systems | Android 7.1 BOZZ OS | |
| | Processor | 3288 A17*4 Page 1.8GHz & Mali T764 Optional Configurations:RK3399 A72*2+ A53*4 1.8GHz & Mail T864 | |
| | Memory | 2G DDR+16G EMMC Optional: 4G DDR+32G/64G EMMC | |
| | equipment power supply | DC 12V/3A | |
| | equipment power consumption | 24.1W Max | |
| | relative humidity | 0%-90% (in non-condensing state) | |
| | Operating Temperature | 0°C~45°C | |
| | Storage temperature | -20°C~70°C | |
| | the environment in which it is used | Indoor | |
| | equipment dimensions | 456mm*191mm*403mm | |
| identification method | Face/ID or NFC | | |
| | Interface | USB Type-A *4 | |
| | | RJ45 LAN port*1 (with indicator) | |
| | | Micro-USB debugging port*1 | |
| | | DC power supply port*1 | |

| | | |
|------------------------|------------------------|---|
| Hardware configuration | | 3.5mm headphone port*1 |
| | | SD card slot*1 |
| | | Mini USB*1 |
| | Infrared fill light | Support |
| | White filler light | Support |
| | Speakers | 3W*2 |
| Basic parameters | WIFI | 2.4G supports IEEE 802.11b/g/n |
| | Bluetooth | Support Bluetooth 2.1/3.0/4.0/4.2 |
| | means of communication | 4G Full Netcom(Optional:Customized purchase required) |
| Optional sweep window | support category | Supporting 1D, 2D, mobile screen and printed barcodes |
| | distance swept | 2-18cm |
| | Recognition speed | 15 times/s Max |

4. Model:F1852 External Interface



5. Model No.:F1852 Structural Dimension Drawing



6. product packaging and instructions for use

| Serial number | Name of material/tool | Dosage | Description |
|---------------|---|---------|--|
| 1 | Mainframe and self-contained accessories | 1 | Self-contained accessories include: 12V power adapter, desiccant, inspection certificate, warranty card and so on. |
| 2 | Network cable (optional: to be purchased) | Several | for laying out Ethernet and other residual alignments |
| 3 | Network cable clamp, network tester, diagonal pliers, electrical tape, wire snap (optional: need to be purchased) | Several | for laying out Ethernet and other residual alignments |

7. installation considerations

1, the actual wiring, if the host of the 12V power supply line does not use a "special power extension cord" and the distance is long, resulting in the cable equivalent resistance is too large, it is easy to terminal voltage is not enough ($\leq 11V$), the host repeatedly reboot, crash and other abnormal phenomena.

2, the installation environment should not be wet, to avoid strong electricity and strong electromagnetic fields. Such as electromagnetic appliances, cell phones and other appliances can be moved at will should be as far away from the equipment.

3, the product is a precision device, to avoid collision, drop, vibration, so as to avoid the main board components fall off or internal damage to the camera, resulting in functional problems or performance problems.

4, the device comes with a power adapter as shown in the picture, the total length of 1.8 meters.

- The extension of the power cord should not exceed 3 meters, otherwise it will lead to insufficient voltage supply to the host side of the equipment, repeated reboot, crash and other abnormal phenomena.
- If you use other adapters, such as 9V, 1A, insufficient voltage and low current will cause the device to restart repeatedly. The
- The cable to be used should not be too thin (e.g., thin wire for network cable), and it is recommended to connect multiple strands of the same cable in parallel or use a cable with a thicker copper core to ensure that the voltage is $>11V$.

Note: If you use a network cable, use 4 strands of network cable as positive pole and 4 strands as negative pole for the extension cable.

If you are not sure how to extend the power supply, please contact your supplier to replace the "Specialized Power Extension Cord".