

Android Dual-Screen Human ID Visitor Machine P22-HC instructions



Bozztek Technology (Shenzhen) Co., Ltd.

Android Dual-Screen Human ID Visitor Machine

P22-HC Specifications



1 .application scenarios

Ideal for office areas, hotels, administrative offices, commercial buildings, schools, shopping malls, retail stores, residential communities, transportation hubs, logistics facilities, public service facilities, and management projects requiring identity verification.

2 .product features

- High-performance quad-core processor with massive RAM, offering multiple memory configuration options.
- BOZZOS, featuring smarter dual-screen interaction;
- Wide-band dynamic stereo camera for precise and rapid recognition, with optional 3D structured light camera;
- Efficient infrared supplementary lighting;
- Extensive external interfaces;
- Supports public networks with optional 4G communication modules.
- The dual screens support multi-angle adjustment;
- Displays available in various sizes with multiple combination options;

- High screen-to-body ratio display for ultra-clear visual experience.
- Optional 500W high-speed scanner with maximum support for A4 format documents

3 .Product Specification Sheet

Android Dual-Screen Human ID Visitor Device			
product model		P22-HC	
screen	size	12.1"+15.6"	
	resolution ratio	15.6-inch (1920*1080) and 12.1-inch (1600*900) G+G capacitive multi-touch screens	
Dual-camera (optional)	type	multicolour	infrared
	resolution ratio	2 million pixels	2 million pixels
	iris diaphragm	F2.0	F2.0
	focal distance	4.5MM	4.5MM
	white balance	voluntarily	voluntarily
	Wide Dynamic	support	support
	Vertical wide-angle	40 degrees	40 degrees
	Horizontal wide-angle	65 degrees	65 degrees
NFC	Supports ID card reading		
High-speed camera	500 megapixels with maximum support for A5 format high-speed shooting		
Basic Specifications	operating system	Android 7.1 BOZZ OS	
	processor	3288 A 53*4 processor with a base frequency of 1.8GHz and Mali T764 GPU	
	internal storage	2G DDR+ 16 EMMC	
	device power supply	12V/ 3 A	
	Device power consumption	24W Max	
	relative humidity	0% -90% (in the absence of condensed water droplets)	
	working temperature	0°C ~ 40°C	
	Storage temperature	-20°C ~ 60°C	
	service environment	indoor	
	Device size	380*213*383	
		USB A * 2	

	joggle	RJ45 LAN port *1
		DC power port*1
		SIM card slot (standard when 4G module is selected)
		Supports Micro TF card slot
	loudspeaker	3W* 1
essential parameter	WIFI	2.4G supports IEEE 802.11b/g/n
	PDA	Supports Bluetooth 4.2
	NFC	selectable
	communication mode	4G universal network support (optional: requires customized procurement)

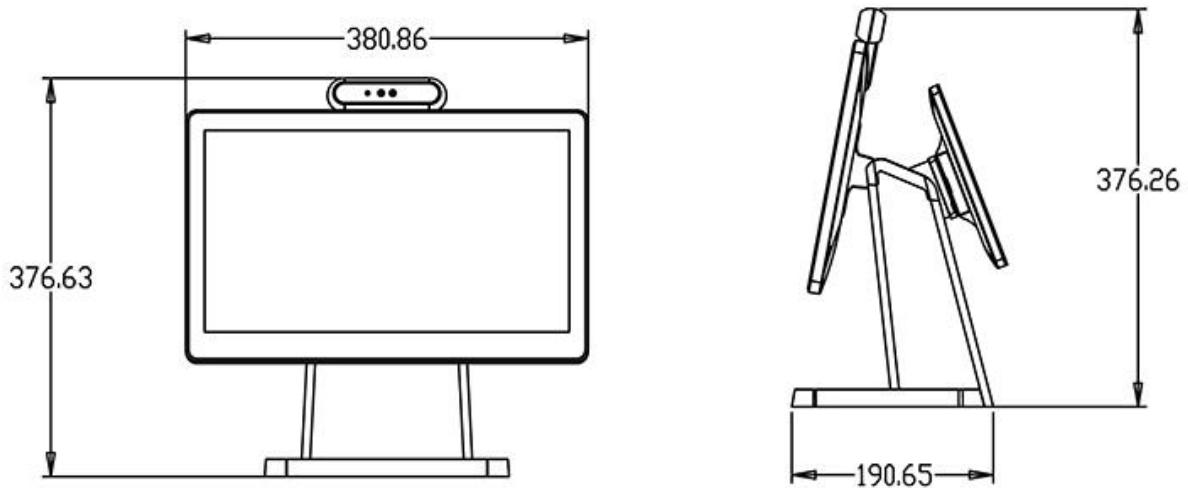
4. Terminal Appearance Diagram of P22-HC



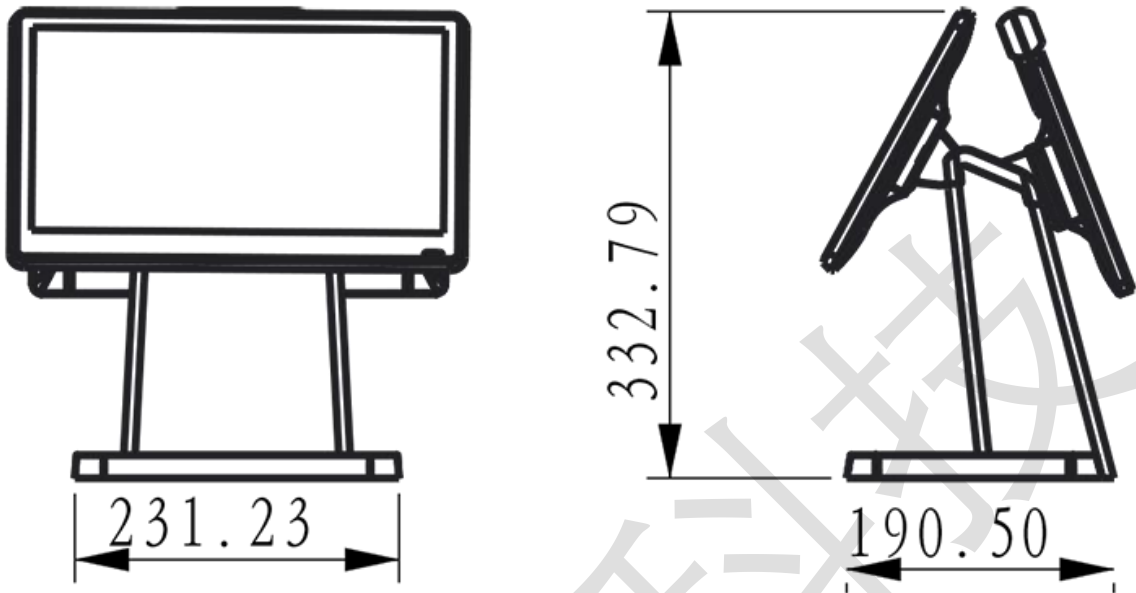


5. Physical dimensions of P22 cash register equipment

12.1"+15.6"



12.1"+13.3"



6. Packaging and Instructions for Use

Materials/Tools List

order number	Material/Tool Name	dosage	explain
1	Host and built-in accessories	1	Included accessories include: 24V power adapter, screen cable, desiccant, and inspection certificate, etc.
2	Ethernet cable (optional: requires external purchase)	a surname	For Ethernet and other residual wiring deployment
3	Wire clamp, network tester, bevel pliers, electrical tape, wire clip (optional: requires external purchase)	a surname	For Ethernet and other residual wiring deployment

7. Installation Precautions

1. During actual wiring installation, if the 12 V power supply cable of the host device does not utilize a "dedicated power extension cable" and the distance is excessively long, resulting

in excessive equivalent resistance of the cable, abnormal phenomena such as insufficient terminal voltage ($\leq 12\text{ V}$), repeated host restarts, and system crashes may easily occur.

2. The installation environment must be absolutely dry, and strong electric currents as well as strong electromagnetic fields should be avoided. Electromagnetic appliances, mobile phones, and other portable electrical devices should be kept as far away from the equipment as possible.
3. This product is a precision device. Avoid collisions, drops, and vibrations to prevent detachment of motherboard components or internal camera damage, which may lead to functional or performance issues.
4. During display screen assembly, connection cables must not be hot-swapped.
5. The equipment comes with a built-in power adapter, with a total length of 1.8 meters.
 - The power cord extension should not exceed 3 meters, as exceeding this length may cause insufficient voltage supply to the device's main unit, resulting in abnormal phenomena such as repeated restarts and system crashes.
 - If other adapters such as 10 V/3A are used, insufficient voltage or low current may cause the device to restart repeatedly.
 - The cables used should not be too thin (e.g., thin Ethernet cables). It is recommended to use parallel multi-strand cables of the same type or thicker copper-core cables to ensure a voltage $> 12\text{ V}$.

Note: If using a network cable, use a 4-core extension cable with the four cores serving as the positive and negative terminals.

- If you are unsure how to extend the power supply, contact the supplier to replace it with
- a dedicated power extension cable.