

Face Recognition Access Control Advertising Machine F2154 instructions



Bozztek Technology (Shenzhen) Co., Ltd.

Release version: V1.1

F2154 Description



1 .application scenarios

Applicable to commercial-residential complexes, office areas, hotels, office buildings, schools, shopping malls, stores, communities, and public service facilities requiring access control permissions and identity verification management.

2 .product features

- Wide dynamic binocular camera with live body monitoring capability;
- Infrared supplementary lighting;
- sensitization IC;
- Temperature monitoring function module is optional;
- Optional human motion detection module;
- Supports NFC card reader
- Optional accessories include an ID card reader and an 86 installation box.
- Supports RS-485 serial port and standard Wiegand interface, with built-in relay, multiple I/O inputs and outputs, and door magnetic sensor output.
- Supports deployment methods for public networks and local area networks, with optional 4G communication modules.

3 .Product Specification Sheet

Face Recognition Integrated Terminal		
product model		F2154
screen	size	21.5-inch IPS
	resolution ratio	1920*1080

camera	type	multicolour	infrared
	resolution ratio	2 million pixels	1.3 million pixels
	iris diaphragm	F2.4	F2.4
	focal distance	3.0 MM	3.0 MM
	white balance	voluntarily	voluntarily
	Wide Dynamic	support	support
camera	Vertical wide-angle		
	Horizontal wide-angle		
Basic Specifications	operating system	Android 7.1 BOZZ OS	
	processor	3288 A17*4 core processor with 1.8GHz clock speed and Mali T764 GPU Optional configuration: RK3399 A72*2 + A53*4 with a base frequency of 1.8GHz and Mail T864	
	memorizer	2G DDR+ and 8G EMMC are optional: 4G DDR+ with 16G/32G/64G EMMC capacity	
	device power supply	DC 12V/ 3 A	
	Device power consumption	18 W Max (Reference value)	
	relative humidity	0% -90% (in the absence of condensed water droplets)	
	working temperature	-10°C ~ 55°C	
	Storage temperature	-20°C ~ 70°C	
	Protection level	IP 54	
	service environment	Indoor (covered outdoor)	
	Device size	316mm* 580mm* 30 mm	
RM	RM	human face	
		USB Type-A * 1	

hardware configuration	joggle	RJ45 LAN port *1
		Micro-USB debugging port*1
		DC power port *1
		RS 485*1
		Relay switch interface*1
		Standard Weigen interface*1
		I/O port* 2
		SIM card slot* 1 (optional)
hardware configuration	Infrared supplementary light lamp	support
	White fill light	support
	temperature screening	Supported (Optional: Custom procurement required)
	loudspeaker	3W* 2
essential parameter	WIFI	2.4G supports IEEE 802.11b/g/n standards
	PDA	Supports Bluetooth 2.1/3.0/4.0/4.2
	communication mode	4G full-network compatibility (optional: requires customized procurement)
Package parameters	weight	13 kg (Reference)
	size	330mm* 610mm* 45 mm

4 . F2154 Terminal Type Diagram

Wall-mounted version:



5 .External dimensions of F2154 access control system

Shape and dimensions

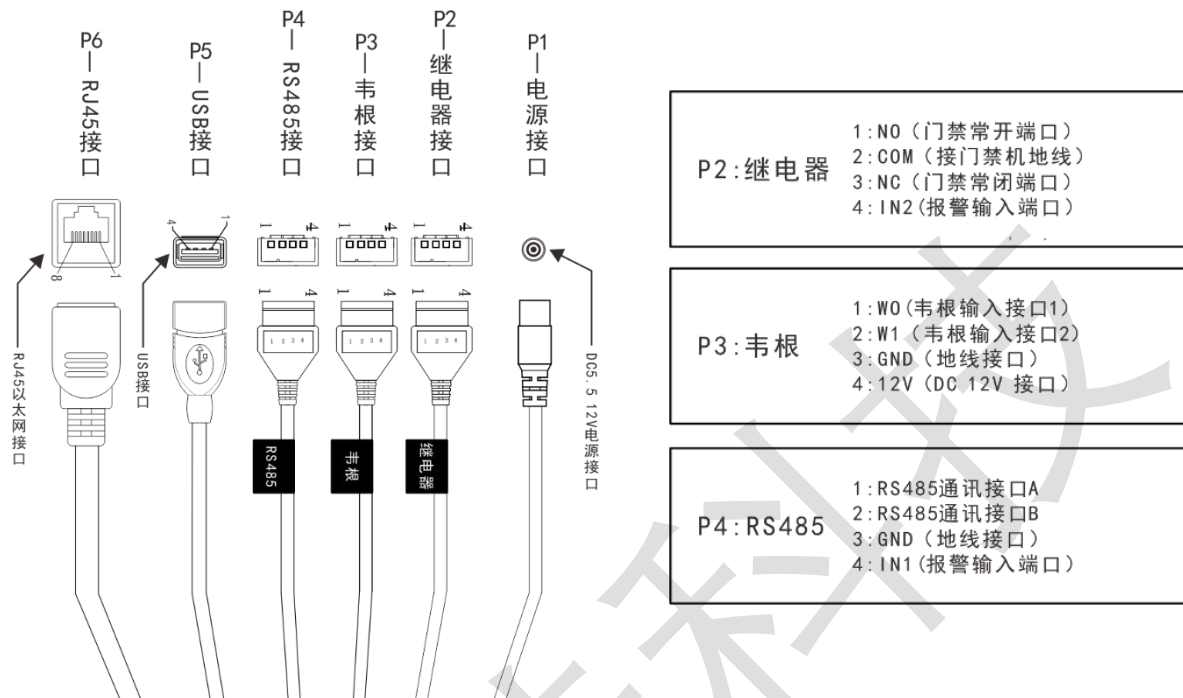


6 .Appearance indicators and wiring instructions

(1) Description of the front part of the access control unit



(2I) Wiring Instructions for Access Control Integrated Wiring Harness



lime light :

1. The relay interface controls access control door operation (similar to a switch) and can also provide power supply independently.
2. The Wegener interface supports input and output signals compliant with the corresponding Wegener protocol, where W0 and W1 must be used as a pair and cannot be used individually (either W1 or W2).
3. The RS485 interface enables communication with external access control systems through RS485 protocol.
4. The alarm input ports (IN1/IN2) are optional connection ports that can also function as output ports. They can be connected or disconnected as needed without affecting system operation.

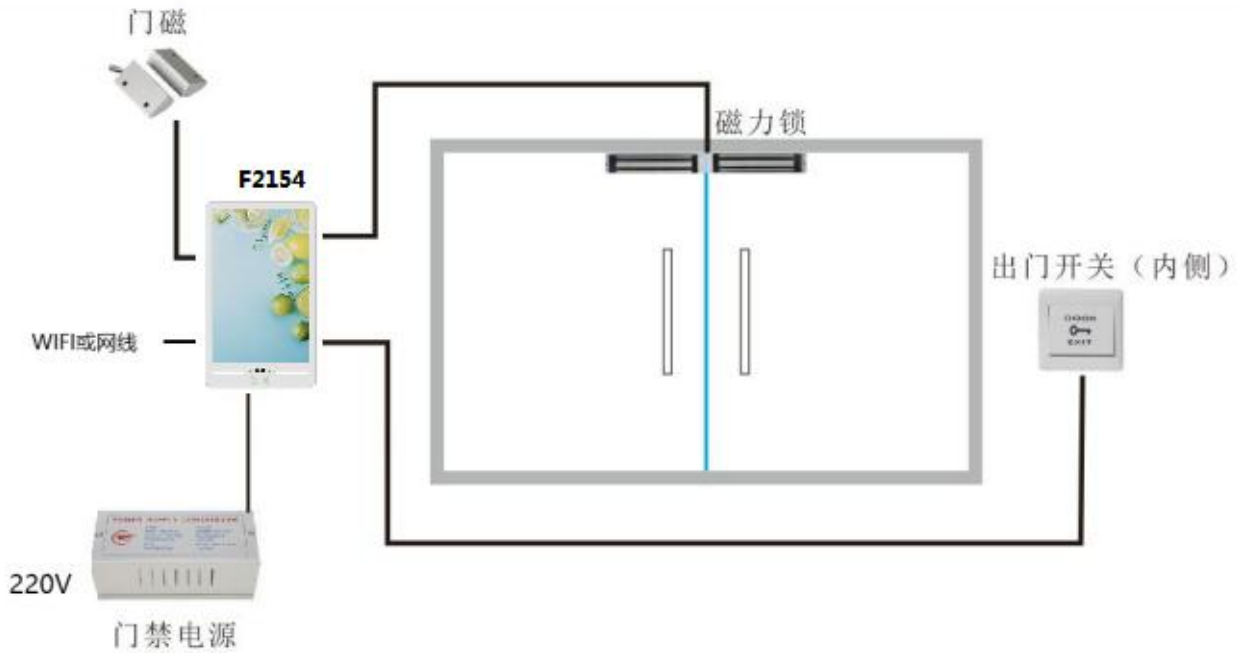
7 .Packaging and Usage Instructions for Access Control Devices

(1) List of Materials/Tools

order number	Material/Tool Name	dosage	explain
1	Host and built-in accessories	1	The included accessories consist of: 12V adapter, accessory screws, wall mounting bracket, desiccant, warranty card, inspection certificate, packing list, etc.
2	Door switch (optional: requires external purchase)	1	Use when going out (not required if already equipped)
3	Electromagnetic lock (optional: requires external purchase)	1	Open the door after power-off, then lock it after power-on (if already equipped, this step is unnecessary).
4	Magnetic lock power supply (optional: requires external purchase)	1	Power supply for electromagnetic lock, capable of simultaneously powering the Uface host (If already present, do not need to match again)
5	Ethernet cable (optional: requires external purchase)	a surname	For Ethernet and other residual wiring deployment
6	Wire clamp, network tester, bevel pliers, electrical tape, wire clip (optional: requires external purchase)	a surname	For Ethernet and other residual wiring deployment
7	Drilling tools (optional: externally sourced)	a surname	For installing equipment and routing cables

(2) Wiring of Magnetic Door

1.Schematic diagram of magnetic gate system installation;



8 .Installation Notes

1. The wiring of the facial recognition access control system must be rational and orderly, with secure installation to effectively prevent electrical safety accidents;
2. During actual wiring installation, if the host computers 12V power supply line does not utilize a "dedicated power extension cable" and has an excessively long distance, resulting in excessive cable equivalent resistance, abnormal phenomena such as insufficient terminal voltage ($\leq 11V$), repeated host restarts, and system crashes may easily occur.
3. Proper anti-interference design must be implemented. When installing facial recognition access control systems, electromagnetic signal interference from other devices such as lighting, computers, and printers during communication transmission should be considered. It is recommended that the installation distance between access control recognition devices and power supplies be no less than 30 cm.
4. This device incorporates built-in relay components. The magnetic lock (or other access control unit) must not exceed a maximum voltage of DC12V or a maximum current of 2A. Exceeding these limits will cause relay breakdown, resulting in door failure.
5. The device comes with a built-in power adapter with a total length of 1.8 meters.
 - The power cord extension should not exceed 3 meters, as exceeding this length may cause insufficient voltage supply to the devices main unit, resulting in abnormal phenomena such as repeated restarts and system crashes.
 - Using other adapters (e.g., 9V/1A) may cause the device to restart repeatedly due to

insufficient voltage or low current.

- The cables used should not be too thin (e.g., thin Ethernet cables). It is recommended to use parallel multi-strand cables of the same type or thicker copper-core cables to ensure a voltage > 11V.

Note: If using a network cable, use a 4-core extension cable with the four cores serving as the positive and negative terminals.

- If you are unsure how to extend the power supply, contact the supplier to replace it with a dedicated power extension cable.