

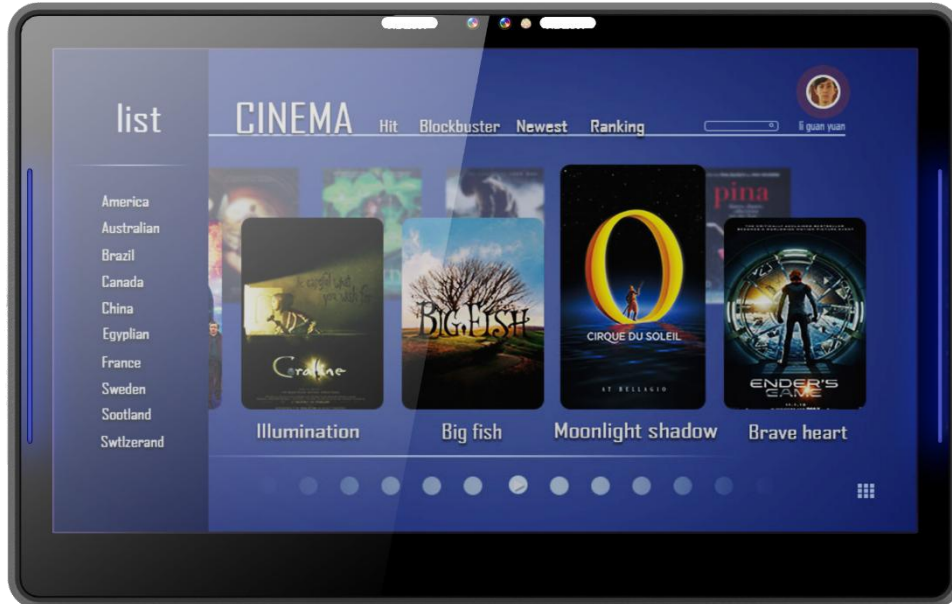
Facial Recognition Conference Access Control Equipment

Model:F1333
Specification sheet



Bozz Technology (Shenzhen) Co., Ltd.

F1333 Description



1. application scenarios

The device is suitable for hotels, administration, office buildings, schools, communities, logistics and other conference access control management scenarios.

2. product characteristics

- Wide dynamic binocular camera, completely solve all kinds of photo attacks on all kinds of carriers.
- Efficient infrared fill light.
- White filler light
- Two-color status indicator bar
- Support RS-232 serial port, standard Wegen interface, support relay, door switch, door magnetic output content.
- Support the use of public network, LAN deployment mode, optional 4G communication module.

3. Product specification sheets

Facial recognition conference access control integrated terminal				
Product Model Number		Model:F1333		
Screen	Dimensions	13.3-inch full-viewing angle		
	Resolution	1920*1080		
Camera	Type	RGB	Infrared	
	Resolution	2 megapixels	1.3 megapixels	
	Aperture	F2.4	F2.4	
	Focal length	4.8MM	4.8MM	
	White balance	Automatically	Automatically	
	Wide Dynamic	Support	Support	
	Vertical angle	wide		
	Horizontal angle		wide	
	basic specifications	operating systems	Android 7.1 BOZZ OS	
Processor		RK3399 A72*2+ A53*4 主频1.8GHz & Mail T864		
Memory		4G DDR+16G EMMC optional: 32G/64G EMMC		
equipment power supply		DC 12V/2A		
equipment power consumption		13.1W Max		
relative humidity		0%-90% (in non-condensing state)		
Operating Temperature		0°C ~ 45°C		
Storage temperature		-20°C ~ 70°C		
the environment in which it is used		Indoor		

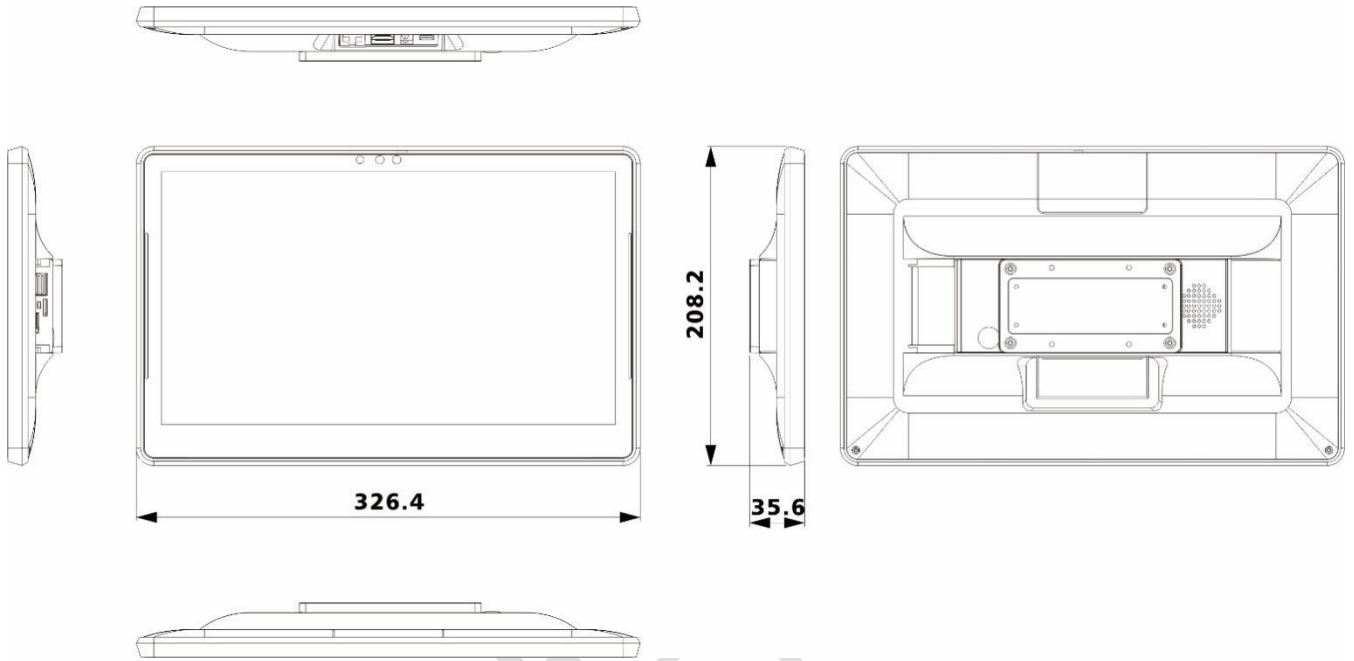
	equipment dimensions	326mm*208.2mm*35.6mm
hardware configuration	identification method	Faces
	Interface	USB Type-A *1
		RJ45 LAN port*1
		Micro-USB debugging port*1
		DC power supply port *1
		Support Micro TF card slot*1, max. 64G
		Dedicated function expansion port*1
	SIM card slot*1	
Infrared fill light	Support	
White filler light	Support	
Speakers	2W*1	
Basic parameters	WIFI	2.4G supports IEEE 802.11b/g/n
	Bluetooth	Support Bluetooth 2.1/3.0/4.0/4.2
	means of communication	4G Full Netcom(Optional:Customized purchase required)
packaging parameters	Weight	1.9Kg
	Dimensions	450*270*105mm

4. Model:F1333 Terminal Diagram



5. Conference access control machine external dimensions

13.3 inch conference access control shape and size (326mm*208.2mm*35.6mm)



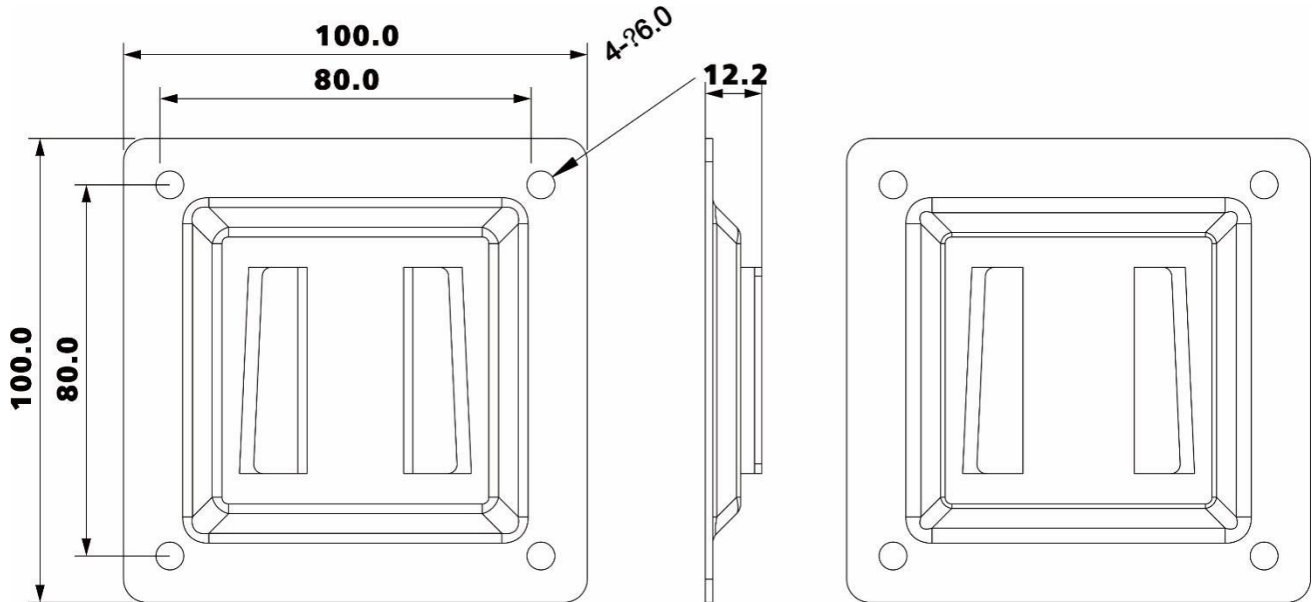
6. Description of exterior parts



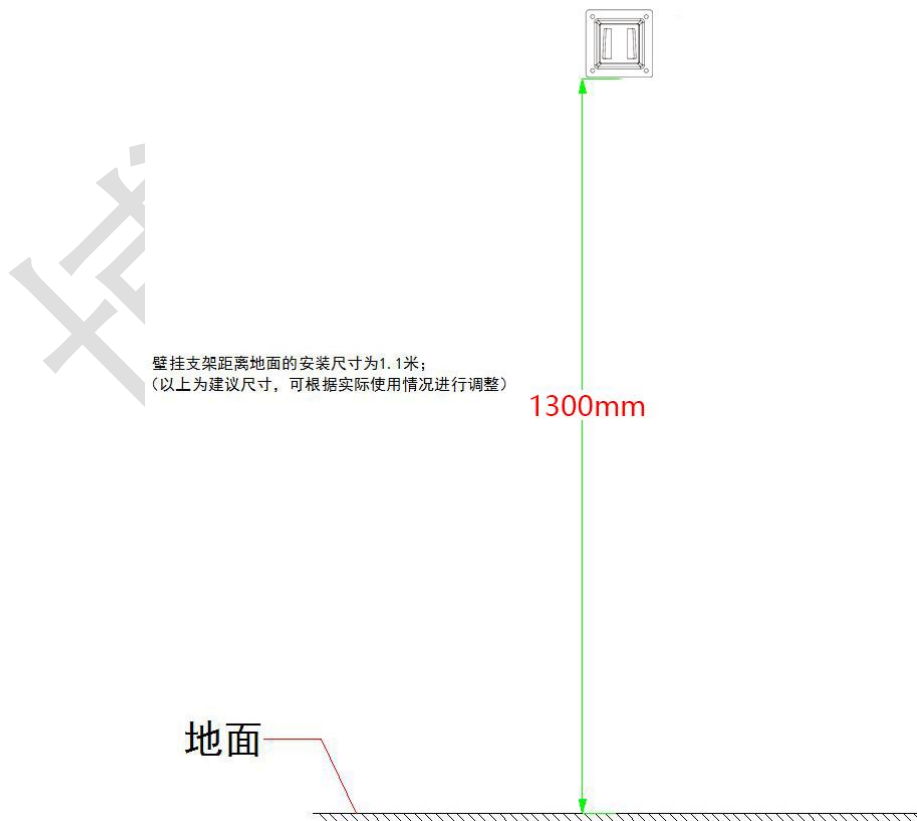
7. Installation steps

(i) Model: F1333 Installation of conference access control

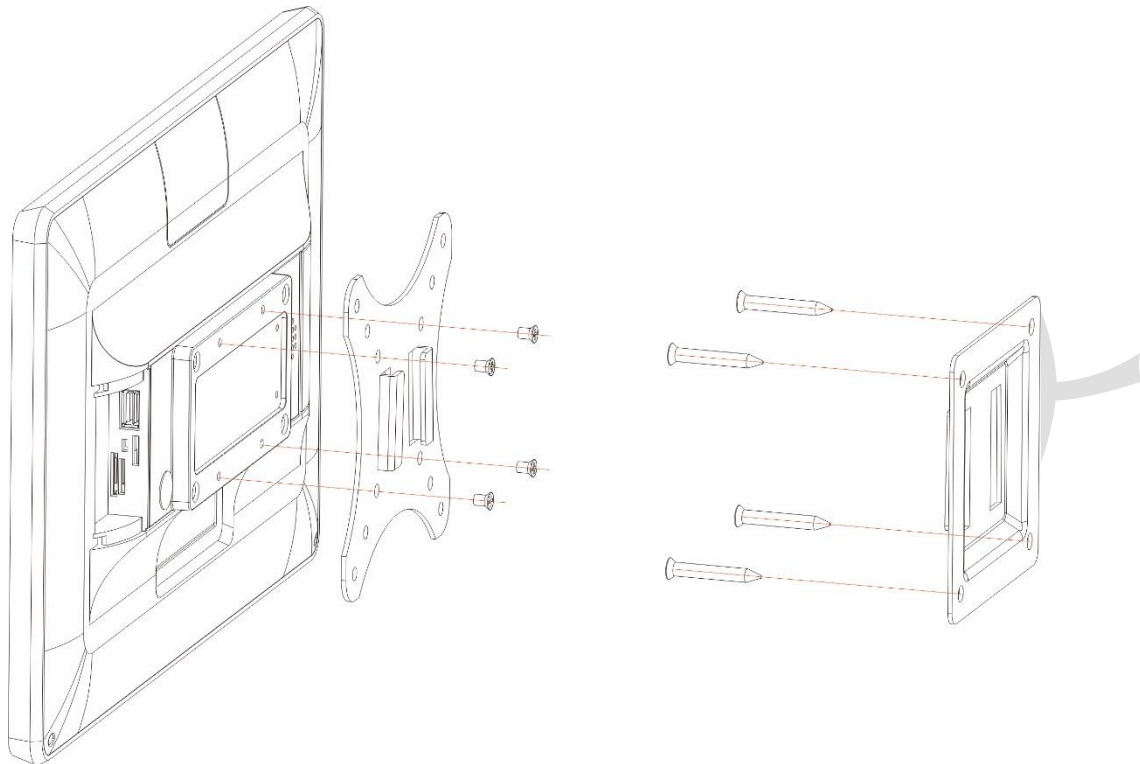
①Description of the dimensions of the wall mounting bracket.



②Instructions on the mounting position of the wall bracket; ②Instructions on the mounting position of the wall bracket.



③ Fixing method of wall mounting bracket and product terminal.



8. Conference access control packaging and instructions for use

(i) List of materials/tools

Serial number	Name of material/tool	Dosage	Description
1	Mainframe and self-contained accessories	1	Comes with accessories including: 12V adapter, accessory screws, wall bracket, power adapter, desiccant, etc.,
2	Outdoor switch (optional: requires outsourcing)	1	For use when going out (if you already have one, you don't need another one)
3	Network cable (optional: to be purchased)	Several	for laying out Ethernet and other residual alignments
4	Network cable clamp, network tester, diagonal pliers, electrical tape, wire snap (optional: need to be purchased)	Several	for laying out Ethernet and other residual alignments
5	Drilling tools (optional: to be purchased)	Several	For installing equipment, wiring alignments

9. installation considerations

1, face recognition access control system wiring must be reasonable and neat, reliable installation, effectively prevent the occurrence of electrical safety accidents.

2, the actual wiring, if the host of the 12V power supply line does not use a "special power extension cord" and a longer distance, resulting in cable equivalent resistance is too large, it is easy to terminal voltage ($\leq 11V$), the host repeatedly restart, crash and other abnormal phenomena.

3, must do a good job of anti-interference design, the installation of facial recognition access control machine to consider lighting light, computers and printers and other equipment, electromagnetic signal interference communication transmission. Recommended access control recognition equipment and power supply installation distance of not less than 30CM.

4, the equipment built-in relay device, its magnetic lock (or other access control unit) load maximum voltage can not exceed DC12V, the maximum current can not exceed 2A, if more than the relay will break down, resulting in can not open the door.

5. The device comes with a power adapter with a total length of 1.8 meters.

- The extension of the power cord should not exceed 3 meters, otherwise it will lead to insufficient voltage supply to the host side of the equipment, repeated reboot, crash and other abnormal phenomena.
- If you use other adapters, such as 9V, 1A, insufficient voltage and low current will cause the device to restart repeatedly. The
- The cable to be used should not be too thin (e.g., thin wire for network cable), and it is recommended to connect multiple strands of the same cable in parallel or use a cable with a thicker copper core to ensure that the voltage is $>11V$.
Note: If you use a network cable, use 4 strands of network cable as positive pole and 4 strands as negative pole for the extension cable.
- If you are not sure how to extend the power supply, please contact your supplier to replace the "Specialized Power Extension Cord".