

Intelligent Weighing and Settlement Scale PT310 instructions



Bozztek Technology (Shenzhen) Co., Ltd

Release version: V1.0

Intelligent Weighing and Settlement Scale PT310



1 .application scenarios

Applicable to smart canteens requiring weighing and settlement in specific locations.

2 .product features

- Stainless steel body;
- Smart recognition and smart settlement
- Abnormal consumption alert
- High-precision electronic balance;
- 10.1-inch touchscreen HD display screen;
- Scan with hard decoding for fast and accurate results;
- Extensive peripheral interface support;
- High-intensity magnesium light lamp;
- Brown protective mouth mask;
- Supports deployment methods for public networks and local area networks, with optional 4G communication modules.

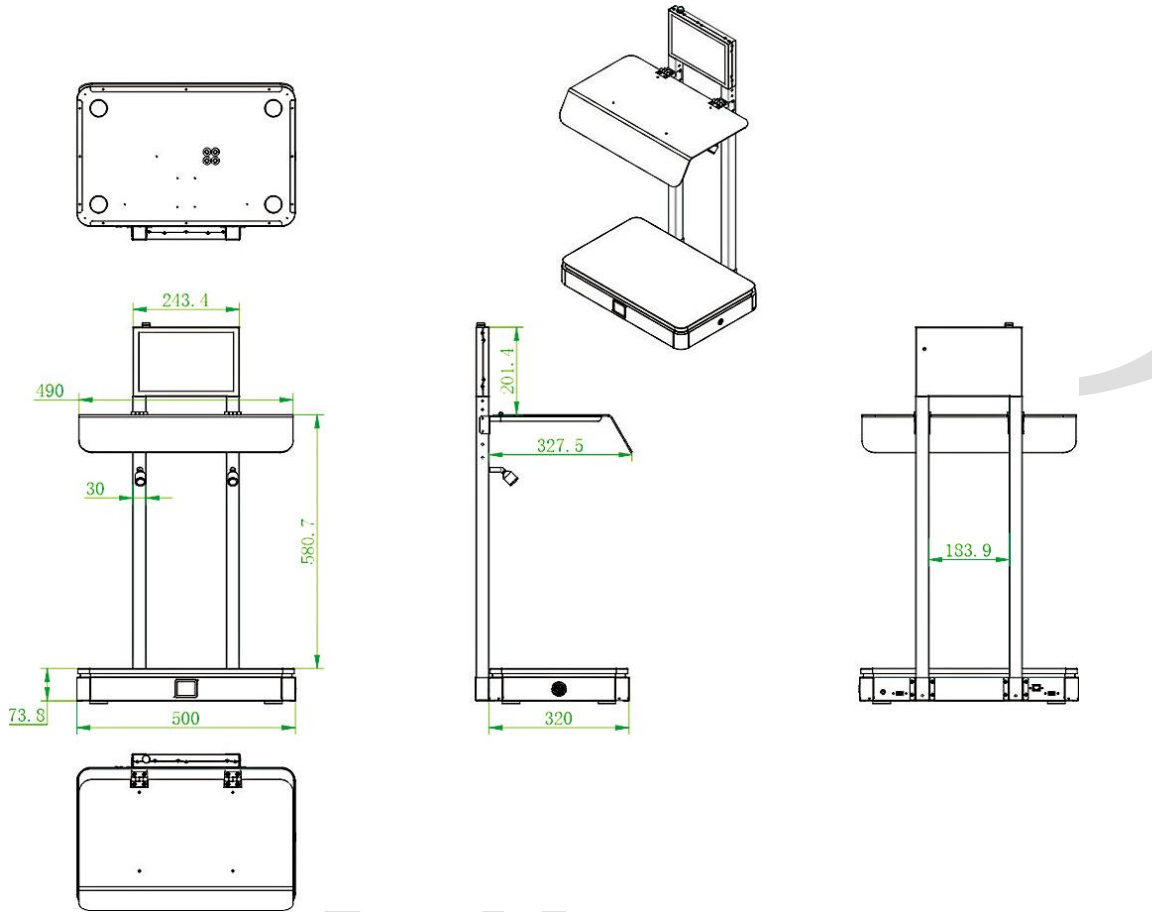
3 .Product Specification Sheet

Android Dual-Screen Smart Scale		
product model		PT310
screen	size	10.1-inch Full View Display
	resolution ratio	1280*800G+G capacitive multi-touch screen
	operating system	Android 7.1 BOZZ OS
	processor	RK3399 A72*2+ A53*4 with a base frequency of 1.8GHz and Mail T860 processor

Basic Specifications		Optional: RK3288/RK3566/RK3576/RK3588	
	internal storage	4G +32GB (optional)	
	device power supply	12V/2A	
	Device power consumption	18W Max	
	relative humidity	0%-90% (in the absence of condensed water droplets)	
	working temperature	0°C ~ 45°C	
	Storage temperature	-20°C ~ 70°C	
	service environment	indoor	
	Device size	490mm*880mm*358mm	
	joggle		USB Type-A *2
			RJ45 LAN port *1
			DC power port *1
loudspeaker		3W*1	
Scan QR code window	Supported categories	Supports one-dimensional and two-dimensional barcodes	
	Scan distance	2-18cm	
	Recognition speed	15 times per second	
electronic balance	metre fullscale	6/15Kg; 15/30Kg	
	Minimum division value	2/5g; 5/10g	
	Minimum weighing	40g; 100g	
	class of accuracy	III	
essential parameter	WIFI	2.4G supports IEEE 802.11b/g/n	
	PDA	Supports Bluetooth 2.1/3.0/4.0/4.2	
	communication mode	4G full-network compatibility (optional: requires customized procurement)	
Package parameters	weight	TBD	
	size	TBD	

4. Structural Appearance Dimensions

The PT310 features a compact design with dimensions of 490mm x 880mm x 358mm.



5. Product Packaging and Instructions for Use

Materials/Tools List

order number	Material/Tool Name	dosage	explain
1	Host and built-in accessories	1	Included accessories: 12V power adapter, desiccant, and inspection certificate, etc.
2	Ethernet cable (optional: requires external purchase)	a surname	For Ethernet and other residual wiring deployment
3	Wire clamp, network tester, bevel pliers, electrical tape, wire clip (optional: requires external purchase)	a surname	For Ethernet and other residual wiring deployment

6. Installation Precautions

1. During actual wiring installation, if the host computers 12V power supply line does not utilize a

"dedicated power extension cable" and the distance is excessively long, resulting in excessive equivalent cable resistance, abnormal phenomena such as insufficient terminal voltage ($\leq 11V$), repeated host restarts, and system crashes may easily occur.

2. The installation environment must be absolutely dry, and strong electric currents as well as strong electromagnetic fields should be avoided. Electromagnetic appliances and mobile devices such as smartphones should be kept as far away from equipment as possible.
3. This product is classified as a precision device. Avoid collisions, drops, and vibrations to prevent detachment of motherboard components or internal camera damage, which may lead to functional or performance issues.
4. The equipment comes with a built-in power adapter, with a total length of 1.8 meters.
 - The power cord extension should not exceed 3 meters, as exceeding this length may cause insufficient voltage supply to the device's main unit, resulting in abnormal phenomena such as repeated restarts and system crashes.
 - Using other adapters (e.g., 9V/1A) may cause repeated device restarts due to insufficient voltage or low current.
 - The cables used should not be too thin (e.g., thin Ethernet cables). It is recommended to use parallel multi-strand cables of the same type or thicker copper-core cables to ensure a voltage $> 11V$.
Note: If using a network cable, use a 4-core extension cable with the four cores serving as the positive and negative terminals.
 - If you are unsure how to extend the power supply, contact the supplier to replace it with a dedicated power extension cable.