

PT311 Intelligent Settlement System Manual



Bozztek Technology (Shenzhen) Co., Ltd.

Release version: V1.0

Date: 2022.03.24

PT311 Intelligent Settlement System Manual



1. Application Scenarios

Ideal for smart cafeterias requiring weighing and RFID-enabled plate-based payment systems.

2. Product Features

- Smart recognition and smart settlement
- Quickly identify RFID modules
- High-precision electronic balance;
- 8-inch touchscreen HD display screen;
- Scan with hard decoding for fast and accurate results;
- Supports deployment methods for public networks and local area networks, with optional 4G communication modules.

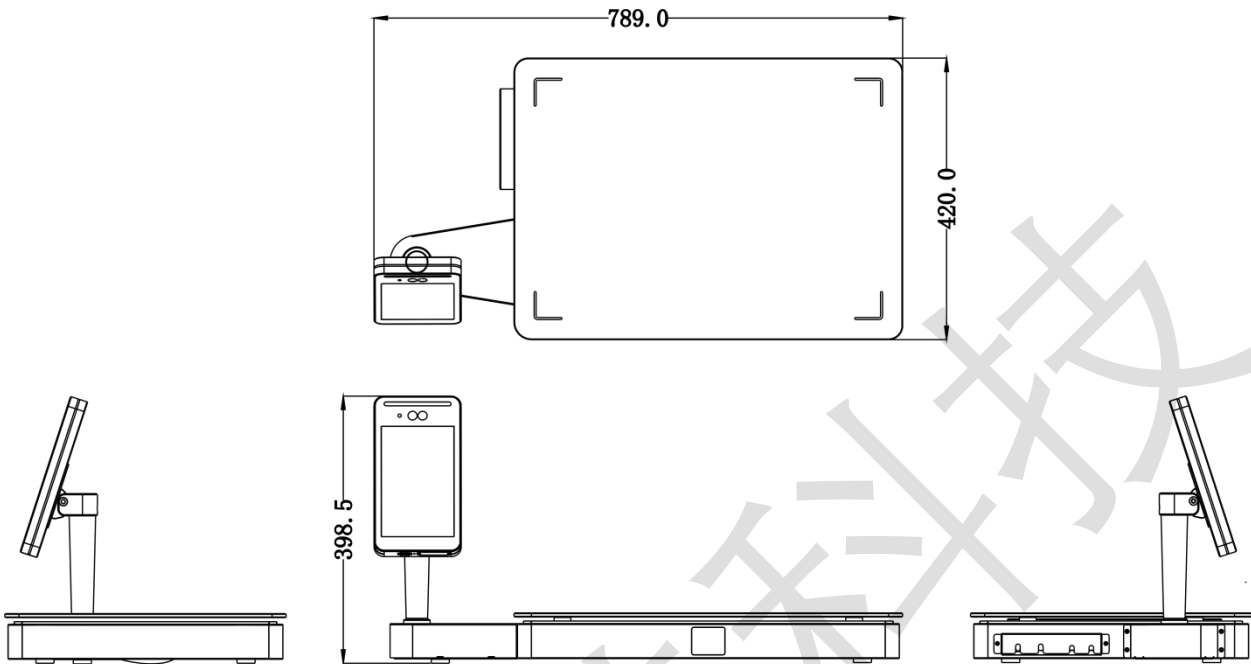
3. Product Specification Table

Intelligent Settlement System		
product model		PT311
screen	size	8-inch Full View
	resolution ratio	800*1280

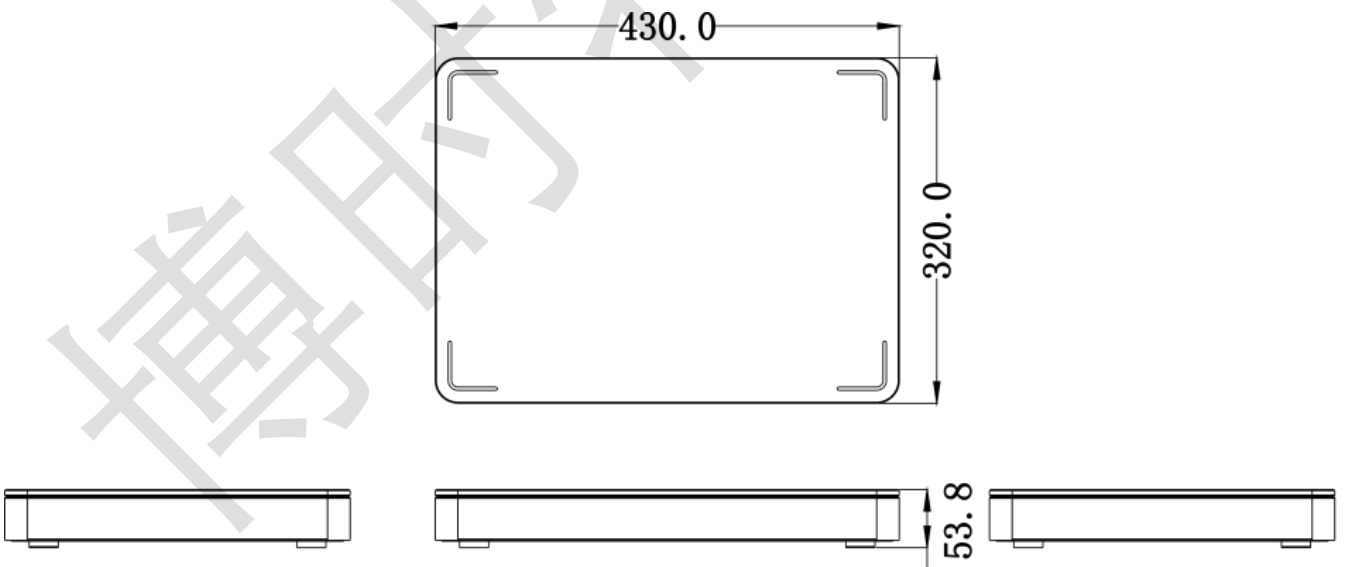
Basic	operating system	Android 7.1 BOZZ OS
	processor	Standard configuration: 3399 yuan for 2×A72 and 4×A53 processors running at 1.8GHz with Mali T860 GPU. Optional: RK3288/RK3566/RK3576/RK3588
	memorizer	4G +32GB (optional)
	device power supply	DC 12V/2A
	Device power consumption	24W Max
	relative humidity	0%-90% (in the absence of condensed water droplets)
	working temperature	0°C ~ 45°C
	Storage temperature	-20°C ~ 70°C
	service environment	indoor
	Device size	789mm*398.5mm*420mm + 430mm*320mm*53.8mm
Specifications	joggle	USB Type-A *2
		RJ45 LAN port *1
		DC power port *1
	Infrared supplementary light lamp	support
	Dual-color status indicator light	support
	White fill light	support
	temperature screening	Supported (Optional: Custom procurement required)
	loudspeaker	2W*1
essential parameter	WIFI	2.4G supports IEEE 802.11b/g/n standards
	PDA	Supports Bluetooth 2.1/3.0/4.0/4.2
	communication mode	4G full-network compatibility (optional: requires customized procurement)

4. Structural Appearance Dimensions

Body dimensions (789mm*398.5mm*420mm)



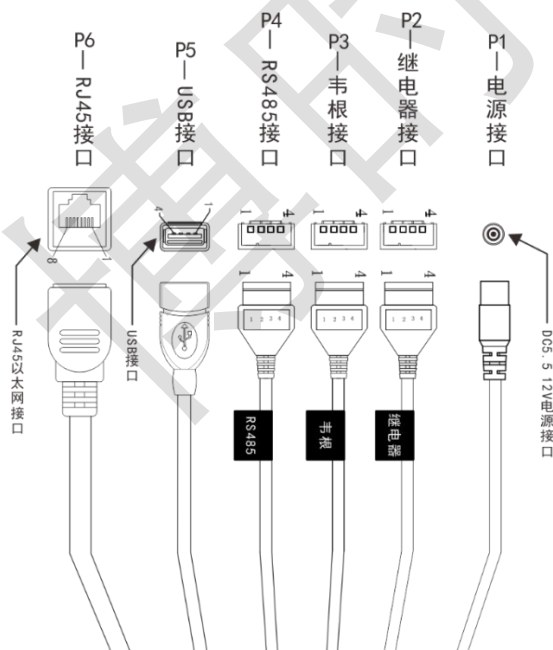
RFID (430mm*320mm*53.8mm)



5. Appearance Site Indication



6. Wiring Instructions for Host Integrated Harnesses



P2: 继电器	1: NO (门禁常开端口)
	2: COM (接门禁机地线)
	3: NC (门禁常闭端口)
	4: IN2 (报警输入端口)

P3: 韦根	1: W0 (韦根输入接口1)
	2: W1 (韦根输入接口2)
	3: GND (地线接口)
	4: 12V (DC 12V 接口)

P4: RS485	1: RS485 通讯接口A
	2: RS485 通讯接口B
	3: GND (地线接口)
	4: IN1 (报警输入端口)

lime light :

1. The relay interface controls access control door operation (similar to a switch) and can also provide power supply independently.
2. The Wegener interface supports input and output signals compliant with the corresponding Wegener protocol, where W0 and W1 must be used as a pair and cannot be used individually (either W1 or W2).
3. The RS485 interface enables communication with external access control systems through RS485 protocol.
4. The alarm input ports (IN1/IN2) are optional connection ports that can also function as output ports. They can be connected or disconnected as needed without affecting system operation.

7. Product Packaging and Instructions for Use

Materials/Tools List

order number	Material/Tool Name	dosage	explain
1	Host and built-in accessories	1	The included accessories consist of: 12V power adapter, desiccant, and inspection certificate, etc.
2	Main stage and host support frame	1	For weighing and connection with the host unit
3	RFID checkout counter	1	For RFID sensing plates

8. Installation Precautions

1. During actual wiring installation, if the host computers 12V power supply line does not utilize a "dedicated power extension cable" and has an excessively long distance, resulting in excessive cable equivalent resistance, abnormal phenomena such as insufficient terminal voltage ($\leq 11V$), repeated host restarts, and system crashes may occur.
2. The installation environment must be absolutely dry, and strong electric currents as well as strong electromagnetic fields should be avoided. Electromagnetic appliances and mobile devices such as smartphones should be kept as far away from equipment as possible.
3. This product is classified as a precision device. Avoid collisions, drops, and vibrations to prevent detachment of motherboard components or internal camera damage, which may lead to functional or performance issues.
4. The device comes with a built-in power adapter with a total length of 1.8 meters. The power cord extension should not exceed 3 meters, as exceeding this length may result in insufficient voltage supply to the main unit, causing abnormal phenomena such as repeated restarts and system crashes. If using alternative adapters (e.g., 9V/1A models), insufficient voltage or low current

levels may lead to frequent restarts. Avoid using excessively thin cables (e.g., thin Ethernet cables). It is recommended to use parallel multi-core cables or thicker copper-core cables to ensure a voltage level above 11V.

Note: If using a network cable, use a 4-core network cable for the positive terminal and 4-core for the negative terminal. If unsure about how to extend the cable, contact the supplier to replace it with a "dedicated power extension cable".

博智时代科技